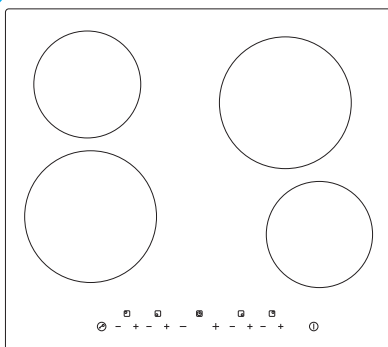


# Instruction Manual for the Ceramic Hob



**Model:EC60T2**

---

Dear customer,

Thank you for purchasing our ceramic hob.

Please read this instruction manual carefully before using and ensure it is installed by a qualified electrician and to current UK regulations.

---

### Care & Maintenance

- Avoiding banging pots and pans down on the hob.


The glass surface is tough but not unbreakable

- Avoid rubbing with any abrasive or with the base of the pans etc as in time this will deteriorate the markings on the top of the ceramic hob
- Avoid using pans with rough or dented bases which can cause scratches to the glass surface
- Place the pans in the middle of the cooking zone.
- Do not leave any empty pan on the heating zone

### Safety

#### 1 High temperature protection

If excessive temperature is detected, the cooking plate will automatically disconnect until a lower temperature is maintained



## Safety

### 2 Residual heat indicators

After using the hob, residual heat remains in the heating area. The LED shows the code "H" which indicates that the zone is not safe to touch

### 3 Auto shut down protection

During operation the hob will automatically shut off as detailed in chart below

Power level	1	2	3	4	5	6	7	8	9
Default working time(hour)	8	8	8	4	4	4	2	2	2

## Installation

### 1 Selection of installation equipment

Drill holes on the work surface in accordance to the sizes shown below. Be sure the thickness of the work surface is at least 30mm. Please select heat-resistant work surface material to avoid larger deformation caused by the heat radiation from the hotplate.

As shown in Figure (1)

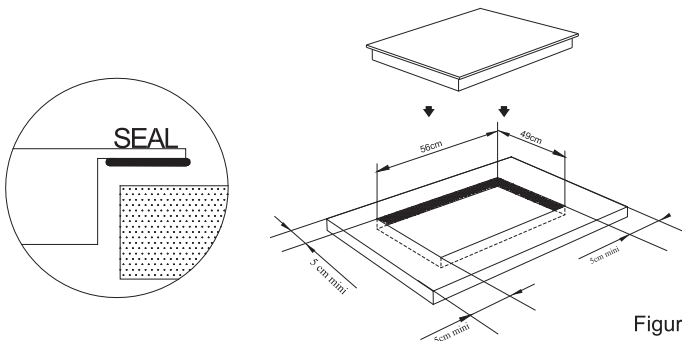
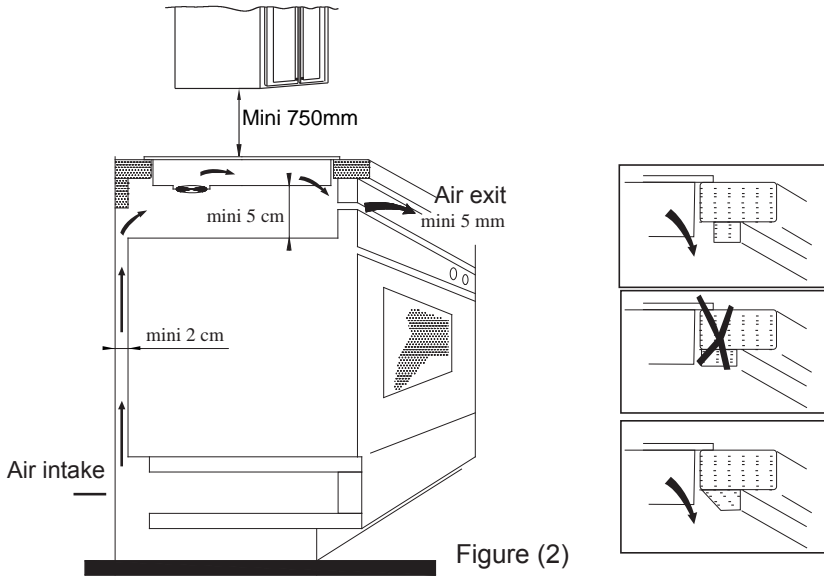


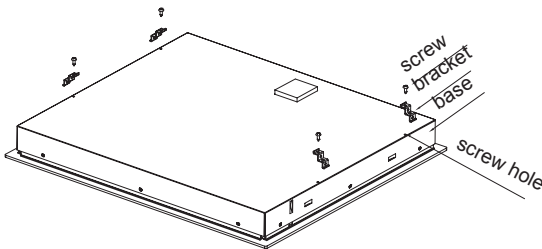
Figure (1)

- 2** Under all circumstances, make sure the ceramic hob is well ventilated and the air inlet and outlet are not blocked. Ensure the ceramic hob is in a good work state. As shown in Figure (2)



Note: The safety distance between the ceramic hob and the cupboard above the hotplate should be at least 750mm.

- 3** Place the hob on the table and screw the four brackets to the bottom of hob (see picture) After installation adjust the bracket position to suit for different table top thickness.

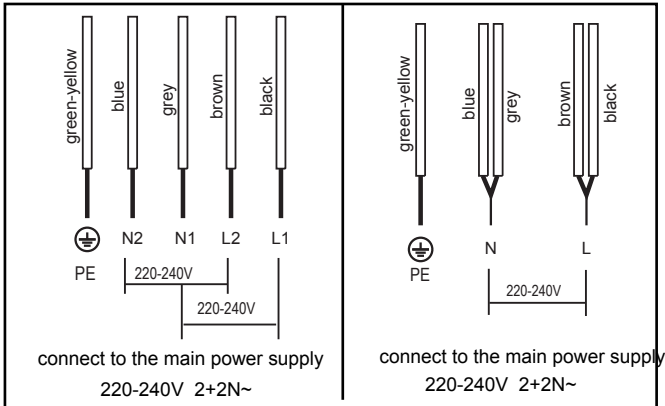


### Please note

1. The ceramic hob must be installed by qualified personnel or technicians in accordance with current regulations. Please never conduct the installation by yourself.
2. The ceramic hob should not be mounted above cooling equipment, dishwashers and rotary dryers.
3. Please ensure there is adequate ventilation underneath the ceramic hob to enhance its reliability
4. A steam cleaner is not to be used.

### 4 Power line connection

The socket shall be connected according to the relevant standard or connected to a single-pole cut-out. 30amp minimum supply. The method of connection is shown in Figure (3):



The installer must ensure that the correct electrical connection has been made and that it complies with wiring diagram above.

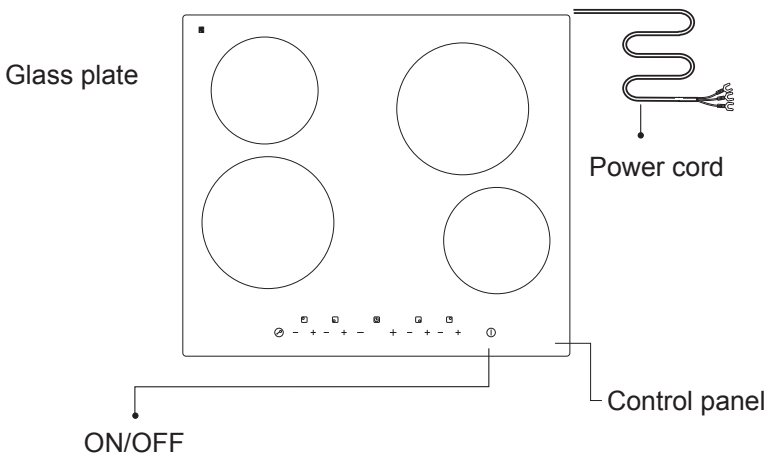
Figure (3)

If the cable is damaged or to be replaced, the operation must be carried out by a qualified electrician with dedicated tools to avoid any accidents. If the appliance is being connected directly to the mains an omnipolar circuit-breaker must be installed with a minimum opening of 3mm between contacts. The installer must ensure that the correct electrical connection has been made and that it complies with wiring diagram.

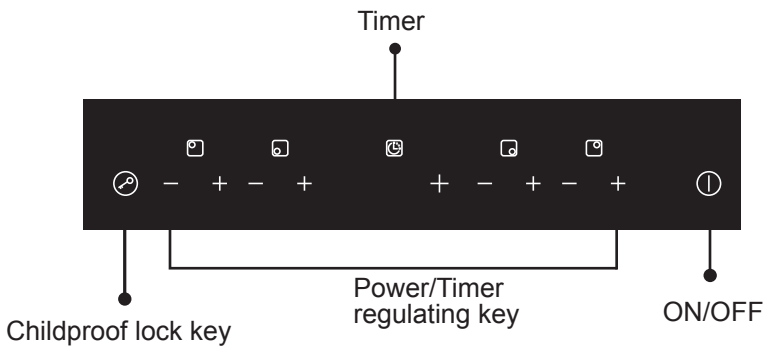
The cable must not be bent or compressed.

The cable must be checked regularly and replaced by authorised technicians only.

## The ceramic hob appearance



## Schematic diagram of the control panel



## Instructions for Use

Put the pan in the centre of the heating zone.

### Preparation before using

After power on, the buzzer bleeps once, all the indicators light up for 1 second then go out, indicating the ceramic hob enters into standby mode.

## Operation Instructions:

After the " ON/OFF "key is pressed,all the indicators show " - ".Then you can set the heat setting of corresponding heating zone



ON/OFF

- Note: 1. In standby working mode, touch the "ON/OFF" symbol the heating zone will restore to the standby working mode if there is no heat setting within 2 minutes.  
2. Every heating zone is independent each other.

## Timer function

Press the timer key, then the indicator flashes, and at this point, you can set time. Using the "+" and "-" keys, you can set the timer from 1 to 99 minutes. When the "+" key is pressed, the set time will increase by 1 minute;when the "-" key is pressed, the set time will decrease by 1 minute; when the set time exceeds 99 minutes,it will restore to 0 minute automatically.



If press the "timer" key, the indicator displays 0.

## Timer confirmation:

- 1.Select the power level of the cooking zone, then press the "Timer" button, you can set the timer.
2. Once the timer indicator flashes for 5 seconds, the set time will be confirmed automatically .
3. After selecting a set time, press the "Timer" key, to confirm acceptance



**Childproof lock:** To ensure the safety of children, the hob is provided with the function of childproof lock.

**Activating the childproof lock:** When the lock is deactivated, touch the "childproof lock" symbol to activate the childproof lock. However when in the locked position, the "stop" touch control has priority and cuts off the power to the hob. The other buttons are disabled except the "stop" touch control button and the "Lock" button.



Child safety

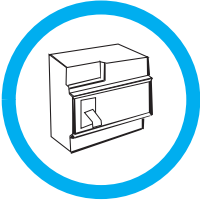
Deactivating the childproof lock: When the hob is in locked mode, you can deactivate the childproof lock by holding the "childproof lock" symbol.

**The power of each heating zone are shown as follow:**

Heating zone	Left rear	Right rear	Right front	Left front
Power	1200W	1800W	1200W	1800W

Total power: see the nameplate

## Safety Reminder and Maintenance



A dedicated power protection air switch with protection air switch must be incorporated in the fixed wiring in accordance with the wiring rules.



Never use the ceramic cooker hob in high temperature environments such as near a gas stove or kerosene stove.



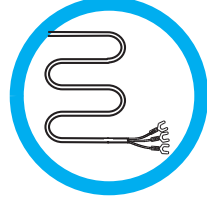
Do not put any detergents or flammable materials in the equipment installed under the ceramic hob.



Do not leave metallic objects, such as knives, forks, spoons and lids on the hob as they may get hot.



For sealed foods such as canned goods, please do not heat them before opening their covers so as to avoid any dangers of explosion due to heating expansion.



If the supply cord is damaged, it must be replaced by the manufacturer, its service agent or similarly qualified persons in order to avoid a hazard.



Do not place rough or uneven pans which may damage the ceramic surface.



If the surface is cracked, wipe off the appliance to avoid the possibility of electric shock.



Never have the ceramic cooker hob to work without food inside, otherwise its operational performance may be affected.



After being used for a long time, the corresponding heating zone of the ceramic cooker hob is still hot. Never touch the ceramic surface to avoid burning.

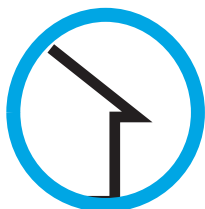


Keep electrical appliance out of reach from children or infirm person. Do not let them use the appliances without supervision.

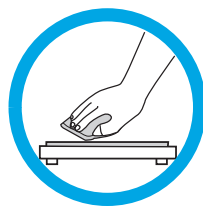




**DISPOSAL:** Do not dispose this product as unsorted municipal waste. Collection of such waste separately for special treatment is necessary.



Indoor use only.



Clean the ceramic hob on a regular basis to prevent the build up of food residue

## Care and Maintenance

You can easily clean the surface of the ceramic hob if following the methods given in the table.

Type of contamination	Method of cleaning	Articles used for cleaning
Light	clean with damp cloth and dry it with another cloth	Cleaning sponge
Burnt on stains	clean with damp cloth and dry it with another cloth	Specialist ceramic cleaner
Rings and lime residue	Apply white vinegar to the surface, then wipe it dry with soft cloth	Specialist ceramic cleaner
Aluminium or plastics	Use a scraper suitable for ceramic glass to remove residue	Specialist ceramic cleaner

We recommend the use of Hob Brite to maintain the condition of the ceramic surface:  
[www.homecareproducts.co.uk](http://www.homecareproducts.co.uk)

**Caution: please disconnect power before the cleaning.**

## Your guarantee

**For any failure of the product, please contact the customer service centre.**

1. There is a 2 year guarantee with this ceramic hob
2. The period of warranty shall start from the date on which the invoice is issued.
3. Any one of the following cases is not covered by the guarantee:
  - Damage caused by improper use, storage and maintenance.
  - Damage caused by unauthorized disassembly and repair.  
Valid receipt cannot be present.
  - Damage caused through mis-use.
  - Using the ceramic hob for commercial purposes.

## Special Declaration

All the contents in this material have been subjected to careful check. For any mistake and omission in printing or misunderstanding of the contents, the company keeps the right of interpretation.

Addition: any technical improvement will be placed in the revised manual without notice; for product appearance and color is according to the actual one

### CNA TRADING APPLIANCES

#### Customer Service

In case of difficulty please call the Customer Service Helpline on our helpline number.

**0844 8001128**

When calling customer service, please ensure you have the model and serial number to hand.  
Please keep your receipt or invoice in a safe place as they will be required as proof of date of purchase.

